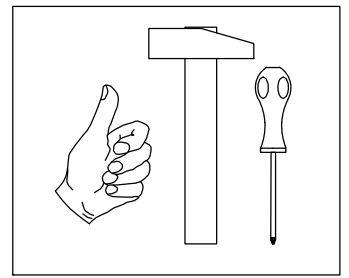
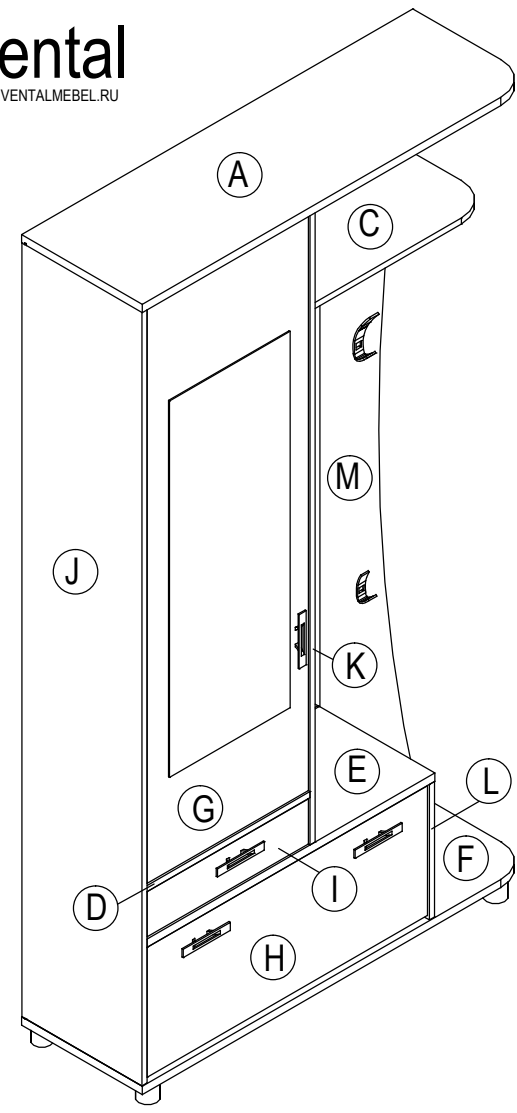


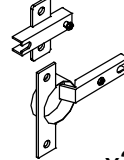



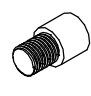
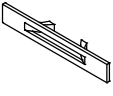


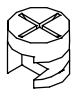
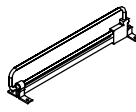
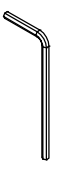
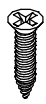
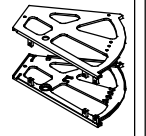
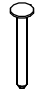





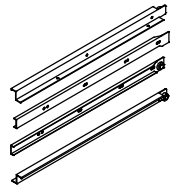
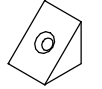
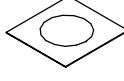


5



- | | | | | | |
|---|-----|---|-----|---|-----|
|  | x2 |  | x5 |  | x3 |
|  | x2 |  | x1 |  | x3 |
|  | x2 |  | x4 |  | x16 |
|  | x16 |  | x16 |  | x1 |
|  | x1 |  | x56 |  | x1 |
|  | x10 |  | x10 |  | x22 |
|  | x10 |  | x22 |  | x14 |
|  | x1 |  | x10 |  | x1 |